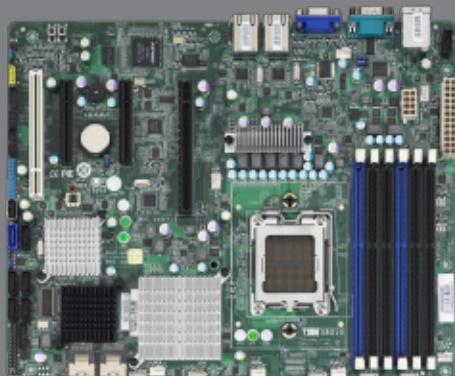
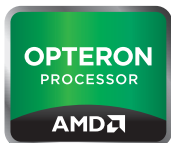


SINGLE-SOCKET SERVER PLATFORM



S8010

S8010WGM2NR / S8010GM2NR /
S8010G2NR-LE (TBD)



■ AMD Opteron™ 4100/4200 series

Entry single-socket server platform for workgroups & SMB

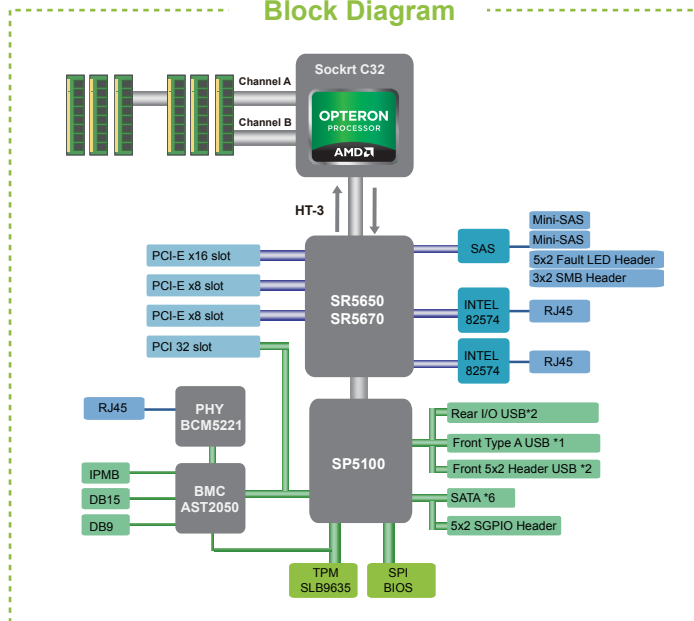
- Single C32 socket supports (1) AMD Opteron™ 4100/4200 series processors (Lisbon/Valencia)
- AMD® SR5670/SR5650 North Bridge + SP5100 South
- (6) 240-pin DDR3 DIMM slots support up to 48GB R-DDR3 and 16GB U-DDR3 1333/1066/800MHz w/ ECC memory
- (1) PCI-E Gen.2 x16 slot (w/ x8 link)
- (1) PCI-E Gen.2 x8 slots (w/ x8 link)
- (1) PCI-E Gen.2 x8 slots (w/ x8 link SR5670 SKU only)
- (1) PCI slot
- (6) SATA-II connectors w/ RAID 0, 1, 10, 5 support
- (2) Mini-SAS connectors for 8 SAS/SATA device w/ RAID 0,1,10
- (3) GbE LAN , 2 Intel 82574L LAN and 1 BCM5221 PHY (Dedicated IPMI LAN)
- TPM 1.2 (Trusted Platform Module) support (Optional)
- Onboard BMC w/ IPMI and iKVM support
- ATX (12" x 9.6") form factor

S8010

S8010WGM2NR / S8010GM2NR / S8010G2NR-LE (TBD)

Processor	Supported CPU Series	AMD Opteron™ 4100/4200 series processors
	Socket Type / Q'ty	LGA1207 / (1)
	Thermal Design Power	75W
Chipset	Chipset	AMD® SR5670/SR5650 + SP5100
	Super I/O	N/A
Memory	Supported DIMM Qty	(6) DIMM sockets
	DIMM Type / Speed	DDR3 800/1066/1333 UDIMM /RUIMM
	Capacity	supports up to 48GB RDIMM at 800MHz ; supports up to 64GB RDIMM at 667MHz or 16GB UDIMM at 1066MHz
	Memory channel	2 Channels
Expansion Slots	PCI-E	(1) PCI-E Gen.2 x16 slots (w/ x8 link from SR5670/SR5650; Slot#6) (1) PCI-E Gen.2 x8 slot (w/ x8link from SR5670/SR5650, Slot#4) (1) PCI-E Gen.2 x8 slot (w/ x8link from SR5670, Slot#2)
	Recommended TYAN® Riser Card	
	PCI	(1) PCI 32-bit slots (Slot#1)
	LAN	Port Q'ty (3) Controller (2) Intel® 82574L + (1) BCM5221 PHY
Storage	SAS (opt.)	Connector (6) single-port
		Controller LSI SAS2008 (-W SKUs only)
		Speed 6.0 Gb/s
	SATA	Connector (6) single-port
Controller AMD SP5100		
Speed 6 for 3.0 Gb/s		
RAID RAID 0/1/1E/10 (LSI Integrated RAID)		
Graphic	Connector type	D-Sub 15-pin
	Resolution	1600x1200@60Hz
TPM (Optional)	Chipset	Aspeed AST2050
	Version	Infineon SLB9635
Input /Output	USB	(7) USB2.0 ports (2 at rear, 4 via cable, 1 type A onboard)
	COM	(1) port (1 at rear)
	PS/2	None
	SAS (opt.)	(2) Mini-SAS (4-in-1) connectors
	VGA	(1) D-Sub 15-pin VGA port
	RJ-45	(3) RJ-45 ports (two RJ-45 ports for GbE LAN, one RJ45 port for IPMI)
	Power	SSI 24-pin + 8-pin power connectors
System Monitoring	Front Panel	(1) 2x12 pin SSI front panel header
	SATA	(6) SATA-II connectors
	Chipset	Winbond W83795G
	Voltage	Monitors voltage for CPU, memory, chipset & power supply
	Fan	(7) 4-pin headers (5) 8-pin headers + (1) 20-pin header (Reserved for Tyan Barebone)
	Temperature	Monitors temperature for CPU & system environment
Others	Chassis intrusion detection Watchdog timer support	

Block Diagram



Server Management	Onboard Chipset	Onboard Aspeed AST2050
	AST2050 IPMI Feature	IPMI 2.0 compliant baseboard management controller (BMC) BIOS update USB 2.0 virtual hub
	AST2050 iKVM Feature	24-bit high quality video compression Dual 10/100 Mb/s MAC interfaces
BIOS	Brand / ROM size	AMI / 4MB
	Feature	Plug and Play (PnP) PCI 2.3 WfM2.0 / SMBIOS2.3 / PXE boot ACPI 2.0 power management Power on mode after power recovery User-configurable H/W monitoring Auto-configurable of hard disk types Multiple boot options
Form Factor	Form Factor	ATX
	Board Dimension	12"x9.6" (304x244mm)
Operating System	OS supported list	Please refer to our OS supported list.
	FCC (DoC)	Class B
Regulation	CE (DoC)	Yes
	Operating Temp.	10° C ~ 35° C (41° F ~ 95° F)
Operating Environment	Non-operating Temp.	- 40° C ~ 70° C (-40° F ~ 158° F)
	In/Non-operating Humidity	Operating Relative Humidity: 15% to 90% (non-condensing) Non-operating Relative Humidity: 10% to 95% (non-condensing)
	RoHS	RoHS 6/6 Compliant Yes

(Specifications are subject to change without notice. Items pictured may only be representative.)

MITAC INTERNATIONAL CORP.
TYAN Business Unit

USA
Tel: +1-510-651-8868
Fax: +1-510-651-7688

Taiwan
Tel: +886-2-2652-5888
Fax: +886-2-2652-5805

Japan
Tel: +81-3-3769-8311
Fax: +81-3-3769-8328

Europe
Sales: +32 2456 1721
Technical Support: +32 2456 1722

China
Shanghai Tel: +86-21-61431188 Ext 1366
China Tel: +86-010-62555015 Ext 8302