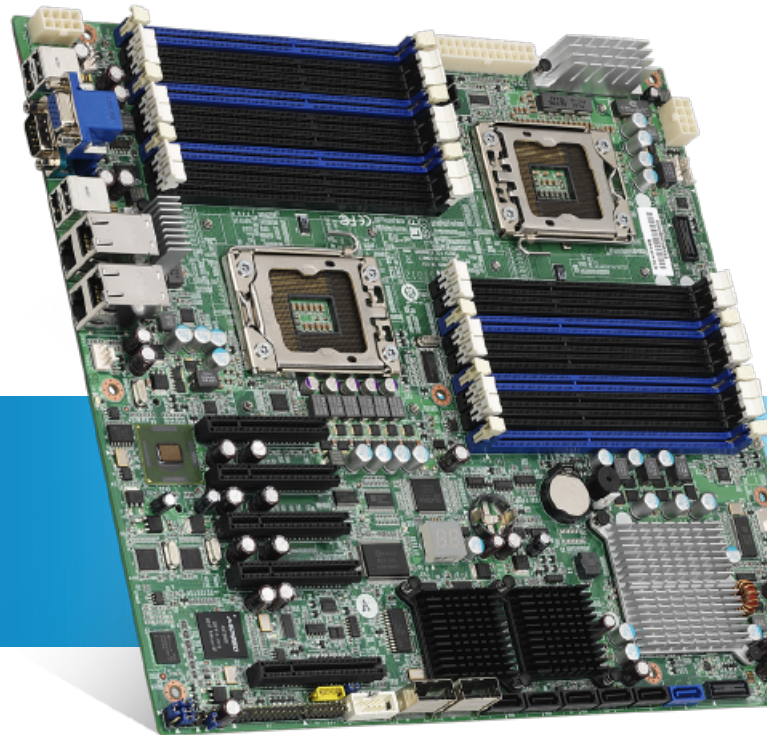
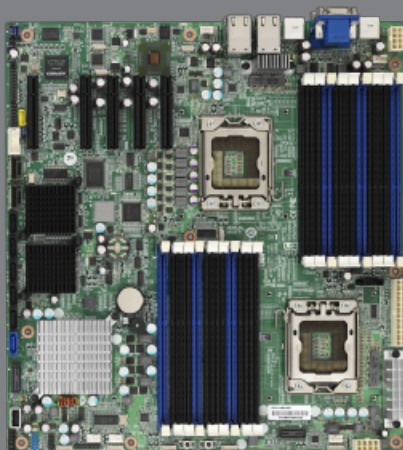


DUAL-SOCKET SERVER PLATFORM



S7012
S7012WGM4NR/ S7012GM4NR



■ Intel® 5520 Chipset

High-end dual-socket server platform for HPC and server virtualization applications with (4) GbE and iKVM support

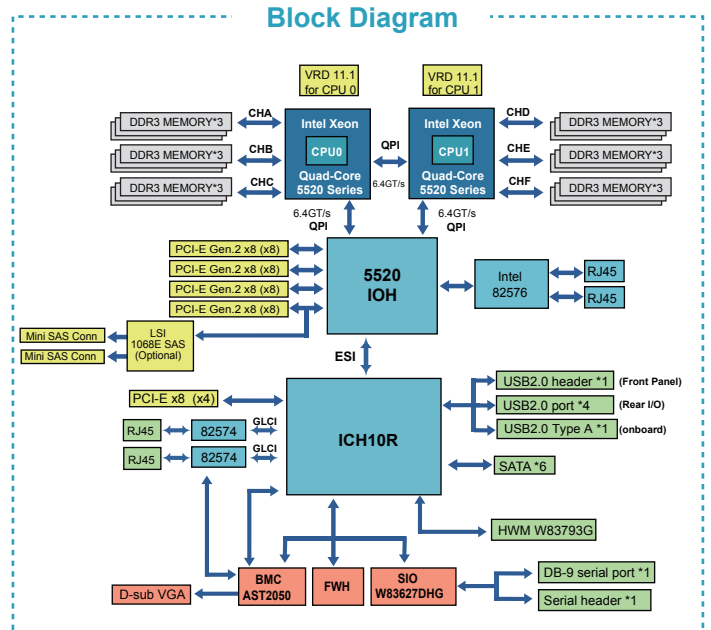
- Dual LGA1366 sockets support up to (2) Intel® Xeon® Processor 5500/ 5600 Series
- Support QPI 6.4/ 5.86/ 4.8 GT/s
- Intel® 5520 IOH
- Intel® ICH10R South Bridge
- (18) 240-pin DDR3 DIMM slots support up to 144GB R-DDR3 1333/1066/800MHz w/ ECC memory
- (4) PCI-E Gen.2 x8 slots
- (3) PCI-E Gen.2 x8 slots (S7012WGM4NR)
- (1) PCI-E x4 slot
- (8) SAS ports by (2) mini-SAS connectors w/ RAID 0, 1, 1E support (S7012WGM4NR)
- (6) SATA-II connectors w/ RAID 0, 1, 10, 5 support
- (4) GbE LAN
- Onboard BMC w/ iKVM support
- SSI EEB (12" x 13") form factor



S7012

S7012WGM4NR/ S7012GM4NR

| | | | |
|-----------------|------------------------------------|--|--|
| Processor | Supported CPU Series | Intel® Xeon® Processor 5500/ 5600 Series | |
| | Socket Type / Q'ty | LGA1366 / (2) | |
| | Thermal Design Power (TDP) wattage | 130W | |
| | System Bus | Up to 4.8/ 5.86/ 6.4GT/s with Intel® QuickPath Interconnect (QPI) support | |
| Chipset | IOH / ICH | Intel® 5520 / ICH10R | |
| | Super I/O | Winbond W83627 | |
| Memory | Supported DIMM Qty | (18) DIMM sockets | |
| | DIMM Type / Speed | DDR3 800/1066/1333 RDIMM/UDIMM | |
| | Capacity | Up to 144GB at launch w/ dual rank RDIMMs | |
| | Memory channel | 6 Channels (3 Channels per CPU) | |
| | Memory voltage | 1.5V | |
| Expansion Slots | PCI-E (S7012WGM4NR only) | (3) PCI-E Gen.2 x8 slots (1) PCI-E x8 slot (w/ x4 link) | |
| | PCI-E (S7012GM4NR only) | (4) PCI-E Gen.2 x8 slots (1) PCI-E x8 slot (w/ x4 link) | |
| | Recommended TYAN Riser Card | M2083-RS, PCI-E x16 1U riser card (left) | |
| LAN | Port Q'ty | (4) | |
| | Controller | Intel® 82574L Intel® 82576 | |
| Storage | SAS (opt.) | Connector | (2) Mini-SAS connectors (support 8 ports) |
| | | Controller | LSI SAS1068E (S7012WGM4NR only) |
| | | Speed | 3.0 Gb/s |
| | SATA | Connector | (6) SATA |
| | | Controller | ICH10R |
| RAID | Speed | 3.0 Gb/s | |
| RAID | RAID | RAID 0/1/10/5 (Intel® Matrix RAID) | |
| Graphic | Connector type | D-Sub 15-pin | |
| | Resolution | 1600x1200@60Hz | |
| | Chipset | Aspeed AST2050 | |
| Input /Output | USB | (7) USB2.0 ports (2 at rear, 4 via cable, 1 type A onboard) | |
| | COM | (2) ports (1 at rear, 1 via cable) | |
| | SAS (opt.) | (2) Mini-SAS (4-in-1) connectors (S7012WGM4NR only) | |
| | VGA | (1) D-Sub 15-pin VGA port | |
| | RJ-45 | (4) GbE ports | |
| | Power | SSI 24-pin + 8-pin + 8-pin + 8-pin power connectors / EPS12V | |
| | Front Panel | (1) 2x12-pin SSI front panel header | |
| | SATA | (6) SATA-II connectors | |
| | System Monitoring | Chipset | Winbond W83793G |
| | | Voltage | Monitors voltage for CPU, memory, chipset & power supply |
| Fan | | Total (5) 4-pin headers Total (5) 8-pin headers | |
| Temperature | | Monitors temperature for CPU & system environment | |
| LED | | Fan fail LED indicator (presented by system front panel) Over temperature warning indicator | |
| Others | | Chassis intrusion detection Watchdog timer support | |



| | | |
|-----------------------|---------------------------|---|
| Server Management | Onboard Chipset | Onboard Aspeed AST2050 |
| | AST2050 IPMI Feature | IPMI 2.0 compliant baseboard management controller (BMC) Supports storage over IP and remote platform-flash BIOS update USB 2.0 virtual hub |
| | AST2050 iKVM Feature | 24-bit high quality video compression Dual 10/100 Mb/s MAC interfaces |
| BIOS | Brand / ROM size | AMI / 4MB |
| | Feature | Plug and Play (PnP) / PCI2.3 WfM2.0 / SMBIOS2.3 / PXE boot ACPI 2.0 power management Power on mode after power recovery User-configurable H/W monitoring Auto-configurable of hard disk types Multiple boot options |
| Form Factor | Form Factor | SSI EEB |
| | Board Dimension | 12"x13" (305x330mm) |
| Operation System | OS supported list | Please refer to our OS supported list. |
| Regulation | FCC (DoC) | Class B |
| | CE (DoC) | Yes |
| Operating Environment | Operating Temp. | 10° C ~ 35° C (50° F ~ 95° F) |
| | Non-operating Temp. | - 40° C ~ 70° C (-40° F ~ 158° F) |
| | In/Non-operating Humidity | 90%, non-condensing at 35° C |
| RoHS | RoHS 6/6 Compliant | Yes |

(Specifications are subject to change without notice. Items pictured may only be representative.)

MITAC INTERNATIONAL CORP.
TYAN Business Unit

USA
Tel: +1-510-651-8868
Fax: +1-510-651-7688

Taiwan
Tel: +886-2-2652-5888
Fax: +886-2-2652-5805

Japan
Tel: +81-3-3769-8311
Fax: +81-3-3769-8328

Europe
Sales: +32 2456 1721
Technical Support: +32 2456 1722

China
Shanghai Tel: +86-21-61431188 Ext 1366
China Tel: +86-010-62555015 Ext 8302

