

## Workstation Solutions

### **Thunder K8WE** S2895

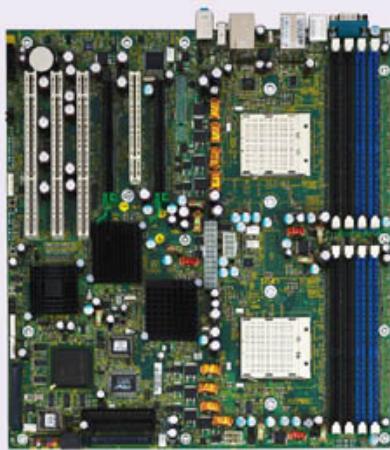


#### Dual AMD Opteron Workstation Platform w/x16 PCIe SLI support

- Dual AMD Opteron™ 200 Series Processor
- Two PCI Express x16 slots support SLI technology
- Two Integrated dual port SATA II Controllers support up to 4 drives
- Dual-channel U320 SCSI controller
- Dual IEEE 1394a port
- (2) NVIDIA MAC GbE LAN

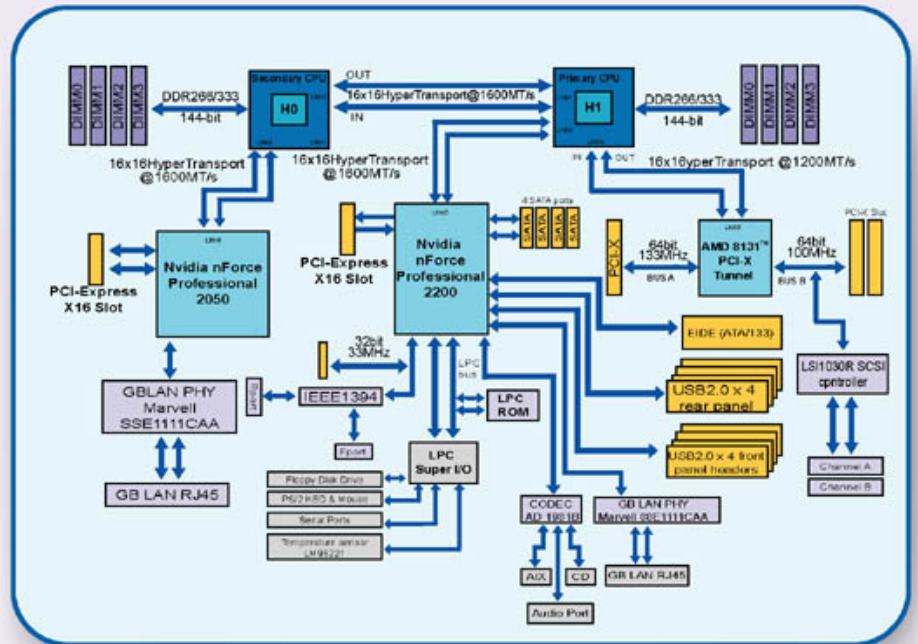
# Thunder K8WE

S2895



▲ TOP View

## Block Diagram



## S P E C I F I C A T I O N S

### Processors

- Supports one or two AMD Opteron™ 200 processors
- Two onboard 4-phase VRMs
- Three HyperTransport™ links support up to 6.4GB/s data transfer rate each link
- 144-bit DDR interface (128-bit data +16 bit ECC)
- Scalable 32bit and 64bit computing
- Secure computing with Nx register support

### Chipset

- Nvidia nForce Professional 2200 (CK8-04)
- Nvidia nForce Professional 2050 (I/O-4)
- AMD 8131™ PCI-X Tunnel
- SMsC Super I/O

### Memory

- 128-bit dual channel (Interleaved) memory bus
- Total Eight DDR-1 DIMM sockets (Four per CPU)
- Supports up to 16GB Registered DDR
- Supports ECC with CHIPKill Technology
- Supports DDR400, DDR333, or DDR266

### Expansion Slots

- Two x16 PCI Express full speed expansion slots
  - Slot 1 PCI-E x16 from nForce Professional 2200
  - Slot 3 PCI-E x16 from nForce Professional 2050
- Two independent 64-bit PCI-X buses
  - Slot 4 and Slot 5 support PCI-X 100 MHz max
  - Slot 6 supports PCI-X 133 MHz max
- One 32-bit 33MHz PCI v2.3 (Slot 2)
- Total of six usable slots

### Integrated I/O

- One floppy connector
- Eight USB 2.0 EHCI ports (four rear connectors & four pin headers)
- PS/2 mouse and keyboard connectors
- Two FireWire (IEEE 1394a) ports (one rear connector and 1 internal pin header)

### System Management

- Total six 4-pin fan headers with PWM and tachometer monitoring
- One 3-pin Chassis Intrusion header
- Watchdog Timer support
- Temperature, voltage and fan monitoring

### Integrated ATA-133

- (from nForce Professional 2200)
- One ATA-133 IDE Channel for up to two devices

### Integrated SATAII Controllers (from nForce Professional 2200)

- Two Integrated dual port SATA II Controllers
- Four SATA connectors support up to four drives
- 3 Gb/s per direction per channel
- NvRAID v2.0 Support
- RAID 0, 1, 0+1

### Integrated Secure Network Processor

- Two IEEE 802.3 Nvidia MAC 1000/100/10 Ethernet
- (First from nForce Professional 2200, Second from nForce Professional 2050)
- Supports WOL and PXE
- Supports Ethernet Jumbo Frames (9018 Bytes)
- Full Duplex Gigabit Ethernet support
- NVIDIA Firewall for secure network communications

### Integrated FireWire (IEEE 1394a) Controller

- TI® TSB43AB22A IEEE 1394a PCI controller
- Two FireWire ports (one rear connector and one internal pin header)

### Integrated Audio

- Enhanced AC'97 2.3 compliant audio link
- Analog Devices 1981B codec
- CD-in/Aux-in connectors

### Integrated SCSI Controller (Mfg. Option)

- LSI 53C1030 U320 SCSI controller
  - Two U320 68-pin SCSI connectors
  - Connected to PCI-X Bridge B

### BIOS

- PhoenixBIOS® on 8Mbit LPC Flash ROM
- ACPI 2.0
- Serial Console Redirect
- USB device boot
- WOL and PXE support
- 48-bit LBA Support

### Form Factor

- SSI EEB v3.5 Footprint (12"x13"; 304.8x330.2mm)
- EPS12V/SSI v3.5 Workstation (24 + 8) power connectors (Split Plane design recommended)
- Serial (one)
- Stacked PS/2 keyboard and mouse connectors
- Two dual port USB 2.0 connectors (total 4 ports)
- Two RJ-45 LAN connector with LEDs
- Audio Line-in, Line-out, Mic-in jacks
- One IEEE 1394A port

## TYAN COMPUTER CORP.

Tyan Computer USA  
Tel: +1-510-651-8868  
Fax: +1-510-651-7688

Tyan Computer Taiwan  
Tel: +886-2-8751-2200  
Fax: +886-2-8797-2767

Tyan Computer Germany  
Tel: +49-8136-9395-30  
Fax: +49-8136-9395-44

Tyan Computer UK  
Tel: +44-1256-397030  
Fax: +44-7836-6800-23

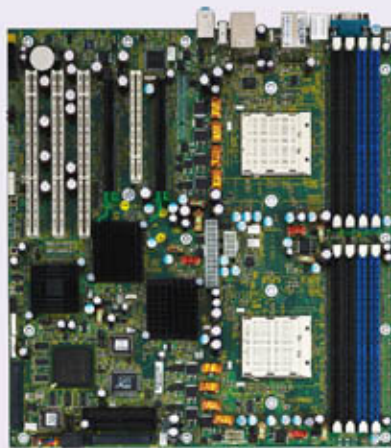
Tyan Computer China  
Tel: +86-10-6255-5015  
Fax: +86-10-8261-8204

Tyan Computer Japan  
Tel: +81-3-3837-7580  
Fax: +81-3-3837-7581



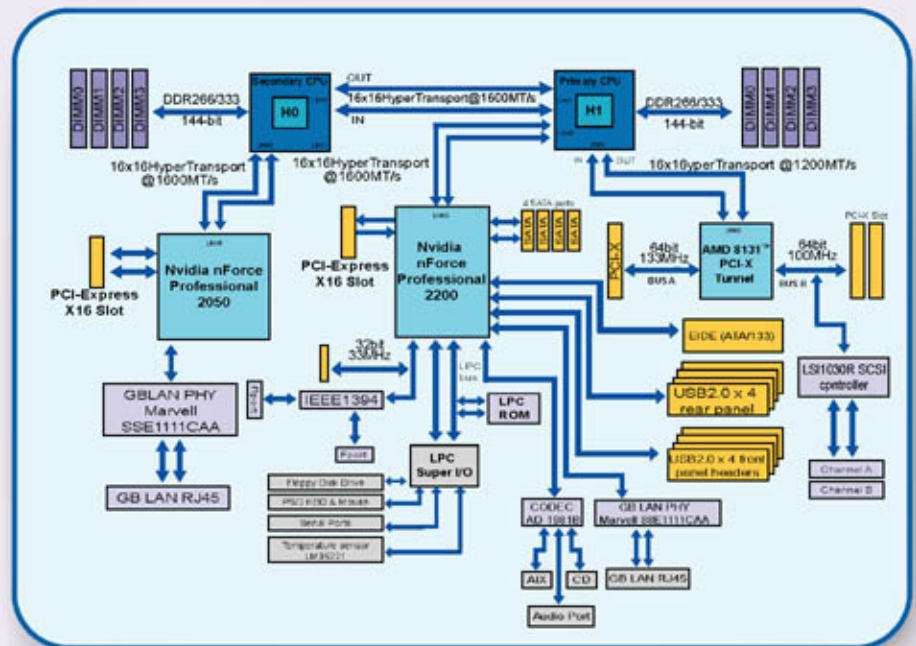
# Thunder K8WE

S2895



▲ TOP View

## Block Diagram



## S P E C I F I C A T I O N S

### Processors

- Supports one or two AMD Opteron™ 200 processors
- Two onboard 4-phase VRMs
- Three HyperTransport™ links support up to 6.4GB/s data transfer rate each link
- 144-bit DDR interface (128-bit data + 16 bit ECC)
- Scalable 32bit and 64bit computing
- Secure computing with Nx register support

### Chipset

- Nvidia nForce Professional 2200 (CK8-04)
- Nvidia nForce Professional 2050 (I/O-4)
- AMD 8131™ PCI-X Tunnel
- SMsC Super I/O

### Memory

- 128-bit dual channel (Interleaved) memory bus
- Total Eight DDR-1 DIMM sockets (Four per CPU)
- Supports up to 16GB Registered DDR
- Supports ECC with CHiPKill Technology
- Supports DDR400, DDR333, or DDR266

### Expansion Slots

- Two x16 PCI Express full speed expansion slots
  - Slot 1 PCI-E x16 from nForce Professional 2200
  - Slot 3 PCI-E x16 from nForce Professional 2050
- Two independent 64-bit PCI-X buses
  - Slot 4 and Slot 5 support PCI-X 100 MHz max
  - Slot 6 supports PCI-X 133 MHz max
- One 32-bit 33MHz PCI v2.3 (Slot 2)
- Total of six usable slots

### Integrated I/O

- One floppy connector
- One serial port connector
- Eight USB 2.0 EHCI ports (four rear connectors & four pin headers)
- PS/2 mouse and keyboard connectors
- Two FireWire (IEEE 1394a) ports (one rear connector and 1 internal pin header)

### System Management

- Total six 4-pin fan headers with PWM and tachometer monitoring
- One 3-pin Chassis Intrusion header
- Watchdog Timer support
- Temperature, voltage and fan monitoring

### Integrated ATA-133

- (from nForce Professional 2200)
- One ATA-133 IDE Channel for up to two devices

### Integrated SATAII Controllers (from nForce Professional 2200)

- Two Integrated dual port SATA II Controllers
- Four SATA connectors support up to four drives
- 3 Gb/s per direction per channel
- NvRAID v2.0 Support
- RAID 0, 1, 0+1

### Integrated Secure Network Processor

- Two IEEE 802.3 Nvidia MAC 1000/100/10 Ethernet
- (First from nForce Professional 2200, Second from nForce Professional 2050)
- Supports WOL and PXE
- Supports Ethernet Jumbo Frames (9018 Bytes)
- Full Duplex Gigabit Ethernet support
- NVIDIA Firewall for secure network communications

### Integrated FireWire (IEEE 1394a) Controller

- TI® TSB43AB22A IEEE 1394a PCI controller
- Two FireWire ports (one rear connector and one internal pin header)

### Integrated Audio

- Enhanced AC'97 2.3 compliant audio link
- Analog Devices 1981B codec
- CD-in/Aux-in connectors

### Integrated SCSI Controller (Mfg. Option)

- LSI 53C1030 U320 SCSI controller
  - Two U320 68-pin SCSI connectors
  - Connected to PCI-X Bridge B

### BIOS

- Phoenix BIOS® on 8Mbit LPC Flash ROM
- ACPI 2.0
- Serial Console Redirect
- USB device boot
- WOL and PXE support
- 48-bit LBA Support

### Form Factor

- SSI EEB v3.5 Footprint (12"x13"; 304.8x330.2mm)
- EPS12V/SSI v3.5 Workstation (24 + 8) power connectors (Split Plane design recommended)
- Serial (one)
- Stacked PS/2 keyboard and mouse connectors
- Two dual port USB 2.0 connectors (total 4 ports)
- Two RJ-45 LAN connector with LEDs
- Audio Line-in, Line-out, Mic-in jacks
- One IEEE 1394A port

## TYAN COMPUTER CORP.

Tyan Computer USA  
Tel: +1-510-651-8868  
Fax: +1-510-651-7688

Tyan Computer Taiwan  
Tel: +886-2-8751-2200  
Fax: +886-2-8797-2767

Tyan Computer Germany  
Tel: +49-8136-9395-30  
Fax: +49-8136-9395-44

Tyan Computer UK  
Tel: +44-1256-397030  
Fax: +44-7836-6800-23

Tyan Computer China  
Tel: +86-10-6255-5015  
Fax: +86-10-6261-8204

Tyan Computer Japan  
Tel: +81-3-3837-7580  
Fax: +81-3-3837-7581